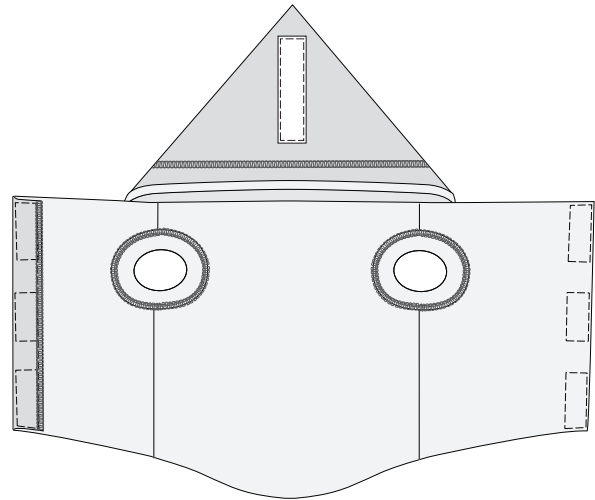
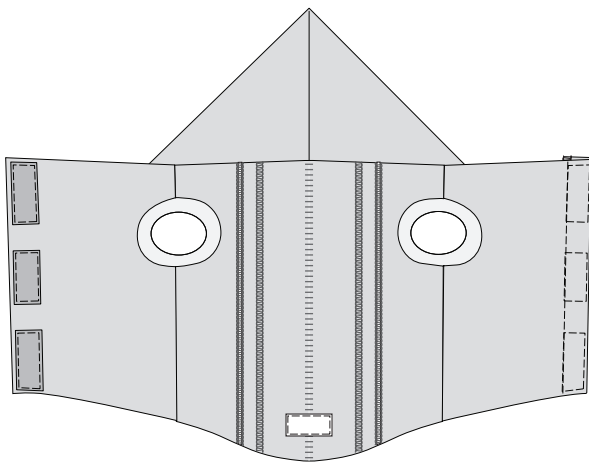


Dog Apparel



Huskylock™ s15



Sewing supplies

- HUSKYLOCK™ s15
- HUSQVARNA VIKING® DESIGNER™ sewing machine
- Blue nylon fabric 12" x 55" (30 x 140 cm)
- Blue pile fabric 12" x 55" (30 x 140 cm)
- Blue Ribbing
- Blue sewing thread
- 30 W Rayon embroidery thread (for the decorative flatlock on the apparel)
- Bobbin thread
- Hook and Loop Fastener 6"(15 cm)
- Reflector Ribbon 7/8" wide x 24" long (2 cm x 60 cm)
- 2 pieces of Reflector Ribbon
- Pictogram Pen
- Pins

HUSQVARNA VIKING® Accessories

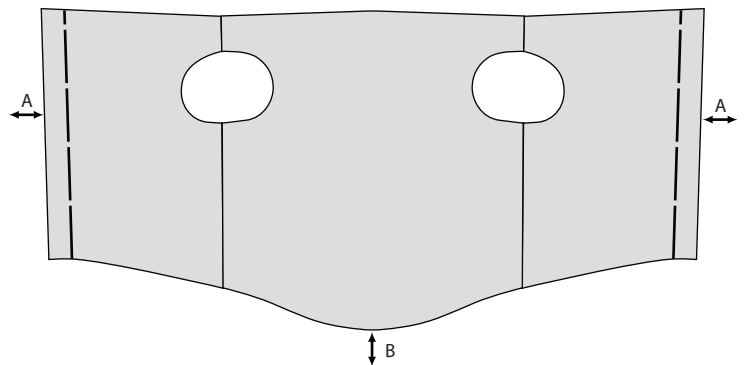
- Edge / Joining Foot (412 79 68 – 45)

You can find these and many other accessories in the HUSQVARNA VIKING® Accessory User's Guide or on our website www.husqvarnaviking.com, for purchase at your nearest HUSQVARNA VIKING® Dealer.

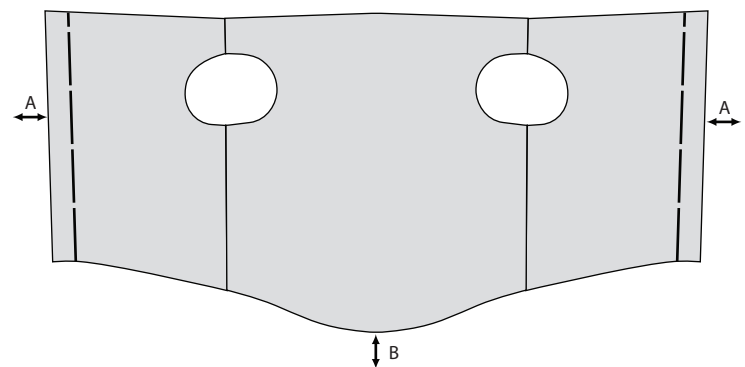
Pattern

Check to see if you need to change the size of the pattern – measure the dog as follow:

For the Chest (around the chests just behind the front legs) - Lengthen or shorten the pattern (A) as illustrated.



For the back length of the apparel – Lengthen or shorten the back edge on the pattern (B) as illustrated.



1/4" (6 mm) seam allowance is included in all measurements.

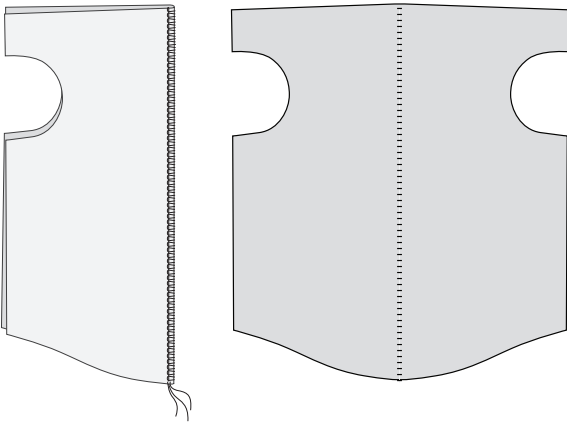
Cut from:

- Blue nylon fabric - All pattern pieces.
- Blue pile fabric - All pattern pieces for lining
2 ribbing pieces $2\frac{3}{8}'' \times 7''$
(6 cm x 18 cm)
- Reflector Ribbon – 2 strips $\frac{1}{4}'' \times 12''$
(6 mm x 30 cm)

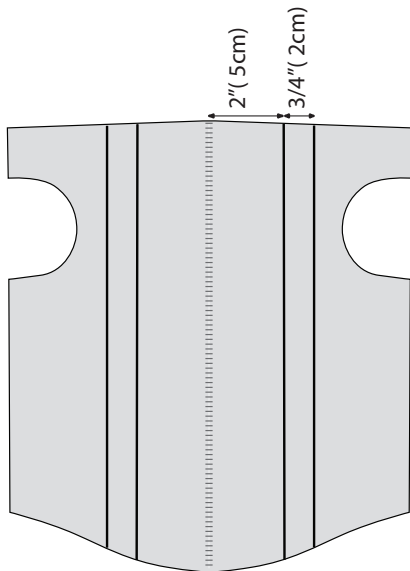
Sewing

Embellishing:

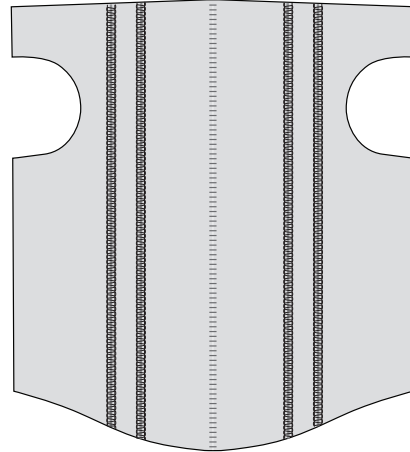
Mark a center line on wrong side of the nylon back piece. Set the Huskylock s15 for a 3-thread flatlock stitch and change to red embroidery thread on the upper looper. Fold the fabric along the marked line and sew a flatlock seam along the fold wrong sides together. Unfold the fabric and pull the fabric flat.



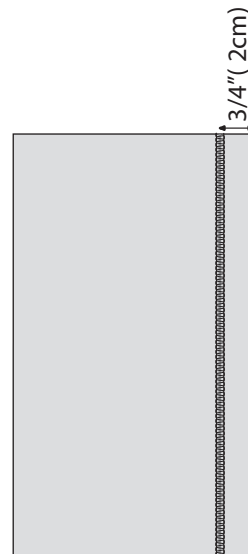
Mark two lines on each side of the flatlock seam on the right side of the fabric piece, see illustration.



Change to blue embroidery thread and sew a flatlock seam on each marked line. Fold the fabric along the marked line. Sew the flatlock seam along the seam from the right side of the fabric. Unfold the fabric and pull the fabric flat.



Mark a line $\frac{7}{8}''$ (2 cm) from the edge on long side of the nylon hood piece. Fold the fabric along the marked line and sew a flatlock seam along the seam on the right side of the fabric. Unfold the fabric and pull the fabric flat.



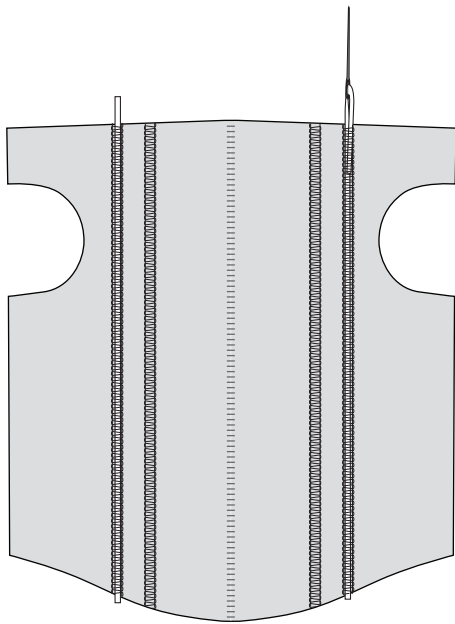
Thread the narrow reflector ribbon with a darning needle through two of the flatlock seams on the body back piece.

Sewing:

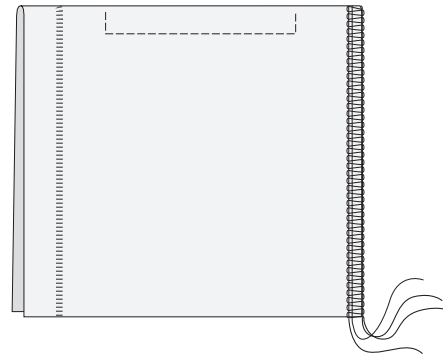
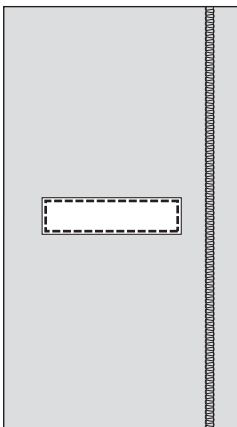
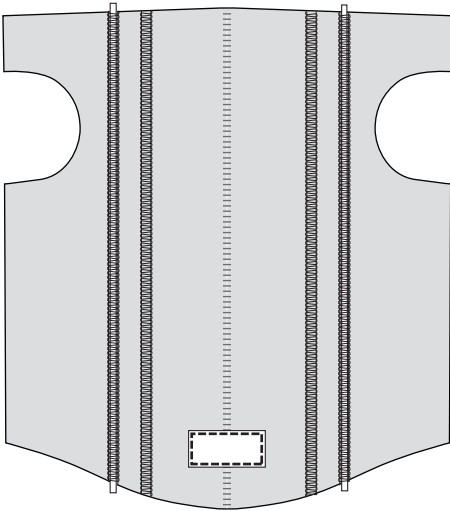
Pin the side seams on the body pieces right side together. Set the HUSKYLOCK™ s15 for a 4-thread overlock seam and sew the side seams.

Fold the hood piece in half right sides together. Pin and sew one side seam together.

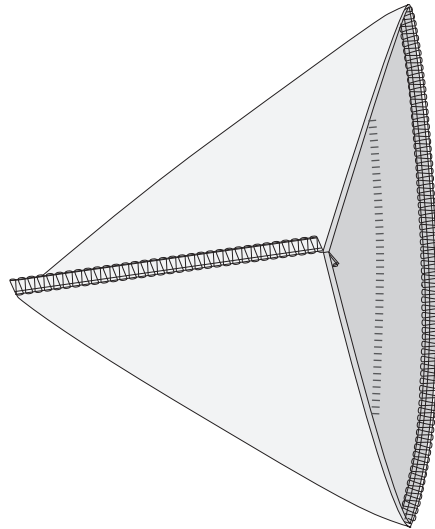
Pin and sew the lining pieces in the same way.



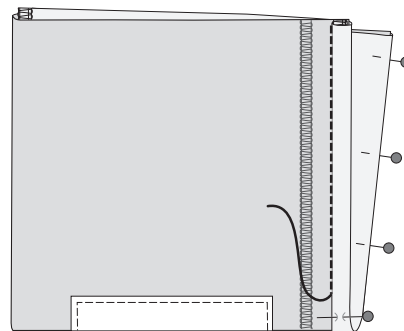
Place a piece of reflector ribbon on the right side of the body back piece and hood piece as illustrated. Choose a straight stitch on your HUSQVARNA VIKING® Sewing Machine and sew the reflector pieces in place.



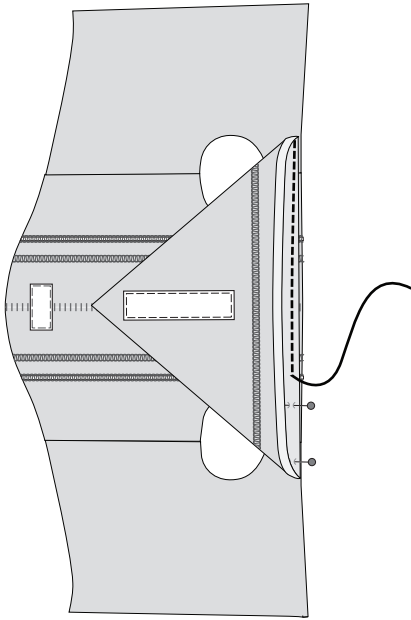
Place the hood pieces right side together. Sew a 4-thread overlock seam along the decorated edge.



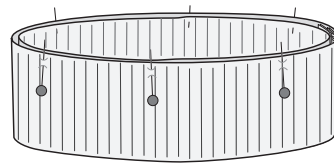
Fold the lining to the inside of the hood and wrap the lining around the overlock seam for decoration. Sew a straight stitch in the ditch to hold the lining in place.



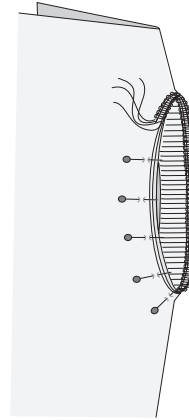
Pin the hood on the neckline of the front piece.
Sew in place with a straight stitch.



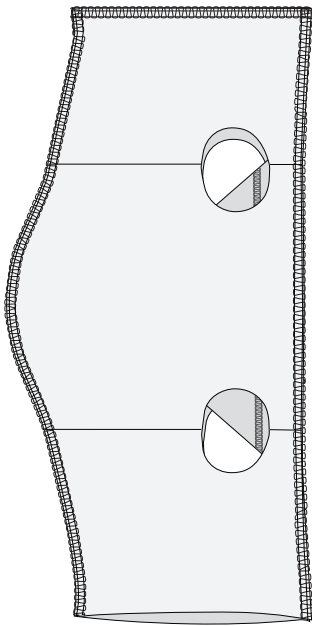
Fold and pin the ribbing in half long sides together and fabric wrong sides together.



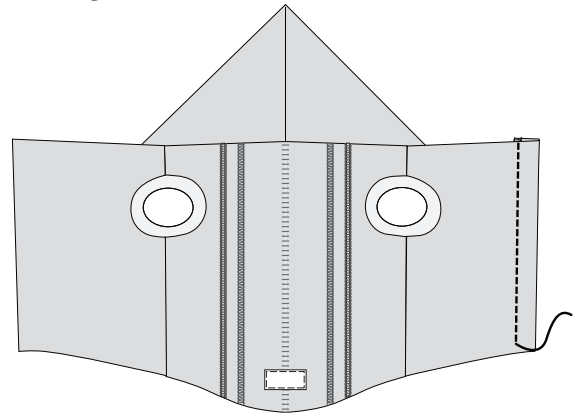
Pin the ribbing in place on the one round leg opening on the body piece, right sides together. Sew in place with a 4-thread overlock seam. Sew the other ribbing in the same way.



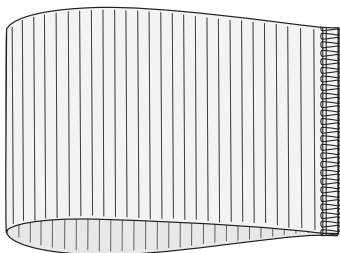
Pin the Body piece and lining piece, right side together. Sew an overlock seam around the edges but leave one short side open. Turn out the right side and press lightly around the edges.



Sew an overlock seam along the open short side. Fold the short 3/4" (2cm) to the wrong side and sew in place with a straight stitch on your Sewing Machine.



Fold one ribbing piece in half, short sides together and fabric right sides together. Sew a 4-thread overlock seam on ribbing edge piece.



Cut the hook and loop fastener in three pieces and pin in place on the short sides of the apparel. Sew in place with a straight stitch.

